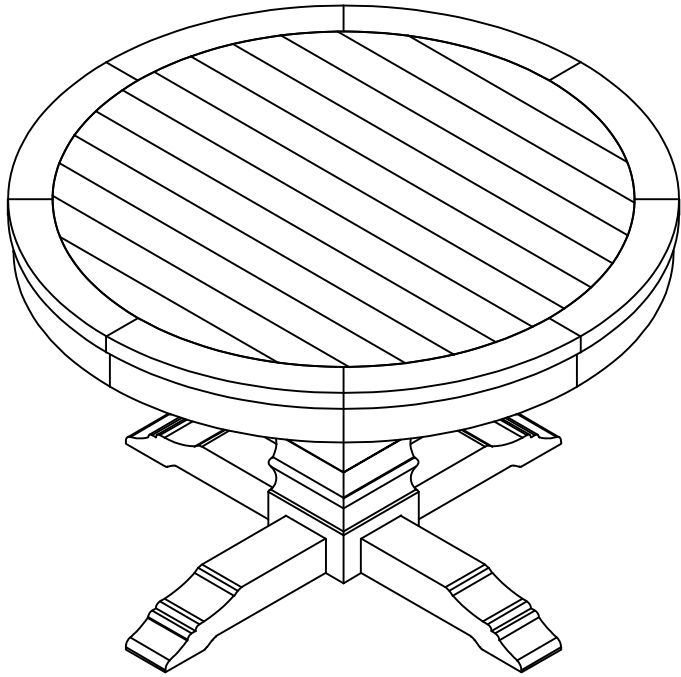
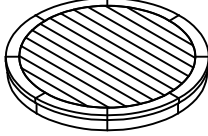

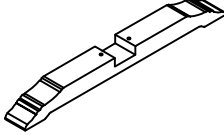
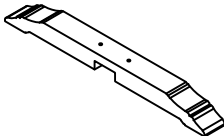
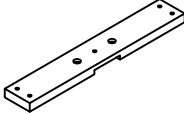
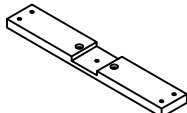
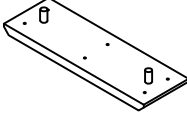






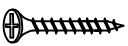


Thank you for purchasing this quality product. Be sure to check all packing material carefully for small parts that may have come loose inside the carton during shipment.



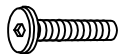
PART			
NO	DESCRIPTION		QTY
1		TABLE TOP	1
2		LEGS	1
3		BOTTOM RAIL	1
4		BOTTOM RAIL	1
5		TOP RAIL	1
6		TOP RAIL	1
7		WOOD PLATE	1

HARDWARE LIST			
NO	DESCRIPTION		QTY
A		BOLT M8x60	8
B		SPRING WASHER M8	16
C		WASHER M8	16
D		ALLEN KEY M4	1
E		BOLT M8x40	4
F		BOLT M8x80	4
G		SCREW M4x30	6

Thank you for purchasing this quality product. Be sure to check all packing material carefully for small parts that may have come loose inside the carton during shipment.

STEP 1

Assemble part (2) & (6)



E:2



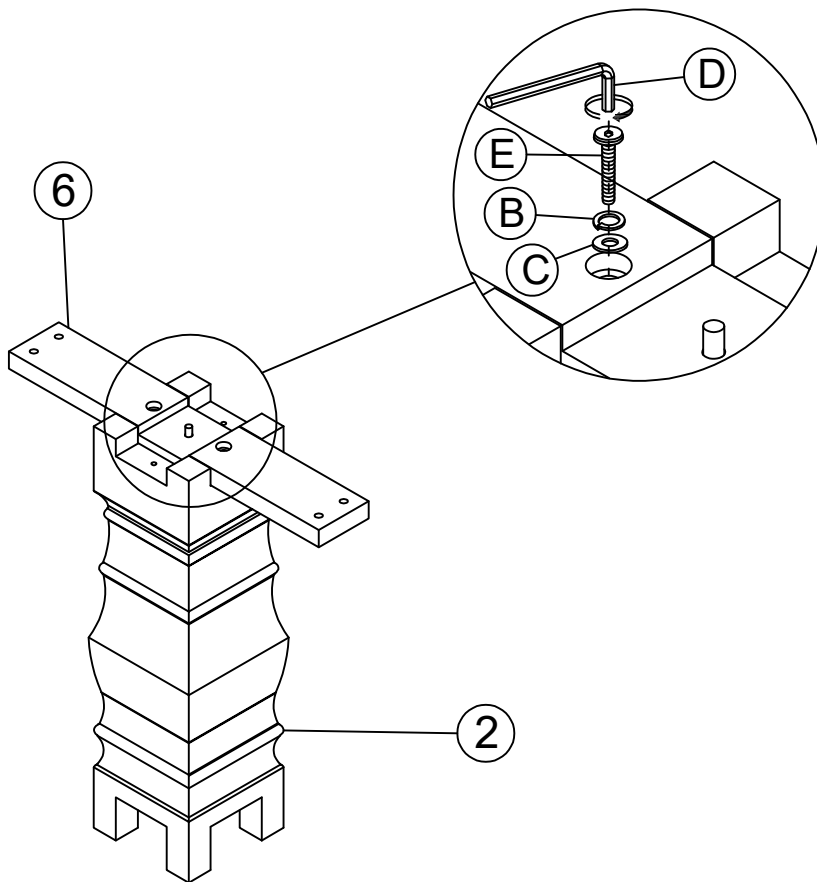
B:2



C:2

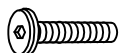


D:1



STEP 2

Assemble part (5)



E:2



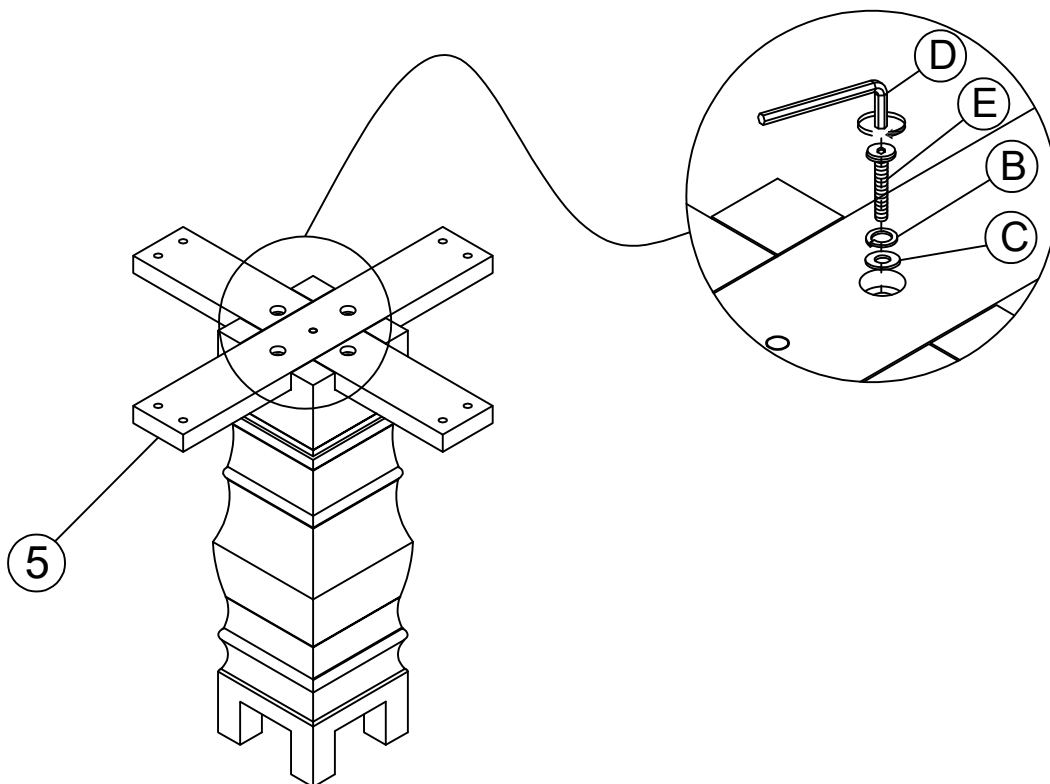
B:2



C:2



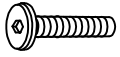
D:1



Thank you for purchasing this quality product. Be sure to check all packing material carefully for small parts that may have come loose inside the carton during shipment.

STEP 3

Assemble part (3)



F:2



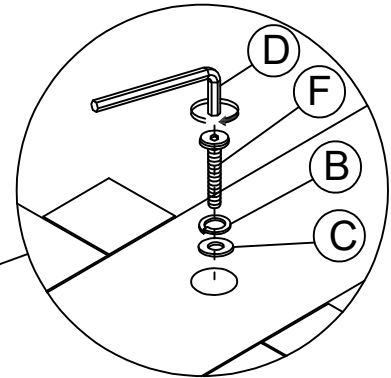
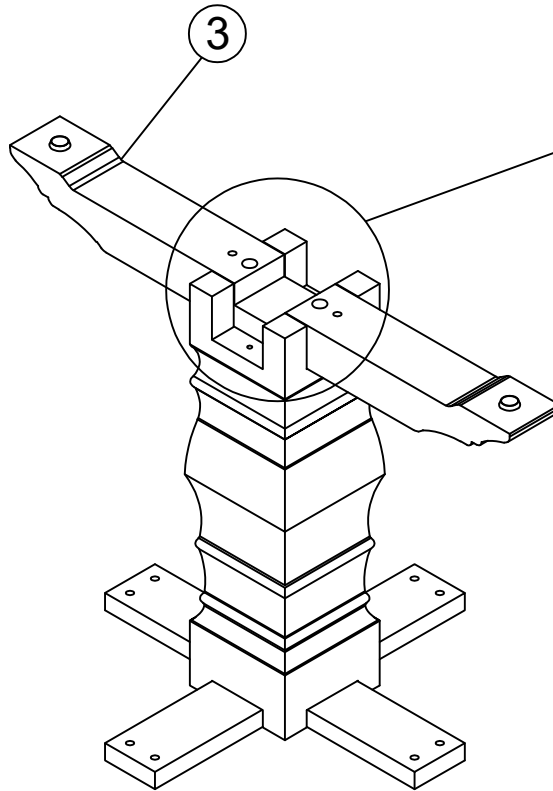
B:2



C:2

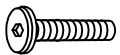


D:1



STEP 4

Assemble part (4)



F:2



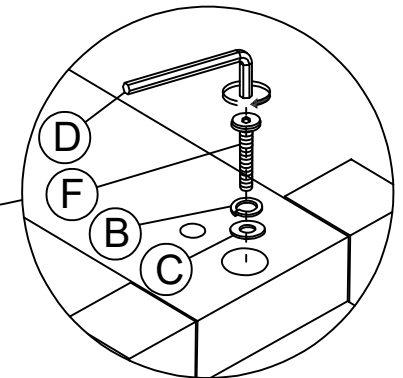
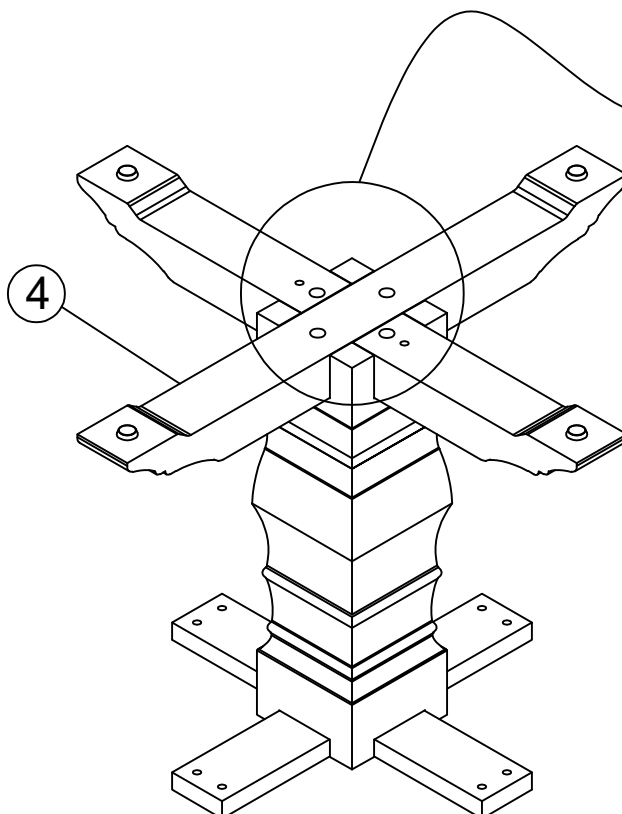
B:2



C:2



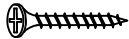
D:1



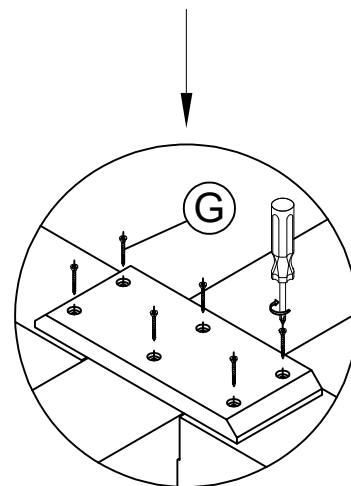
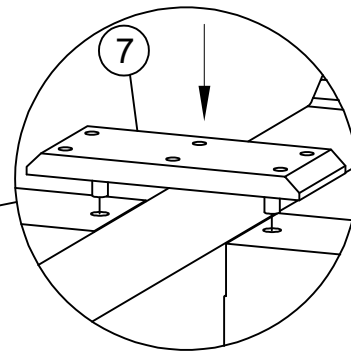
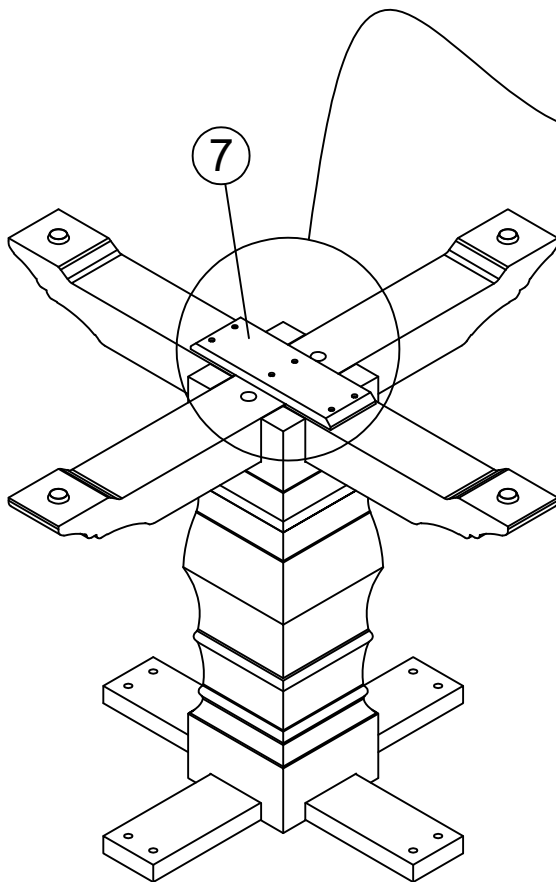
Thank you for purchasing this quality product. Be sure to check all packing material carefully for small parts that may have come loose inside the carton during shipment.

STEP 3

Assemble part (7)



G:6



STEP 4

Assemble part (5)



A:8



B:8



C:8



D:1

